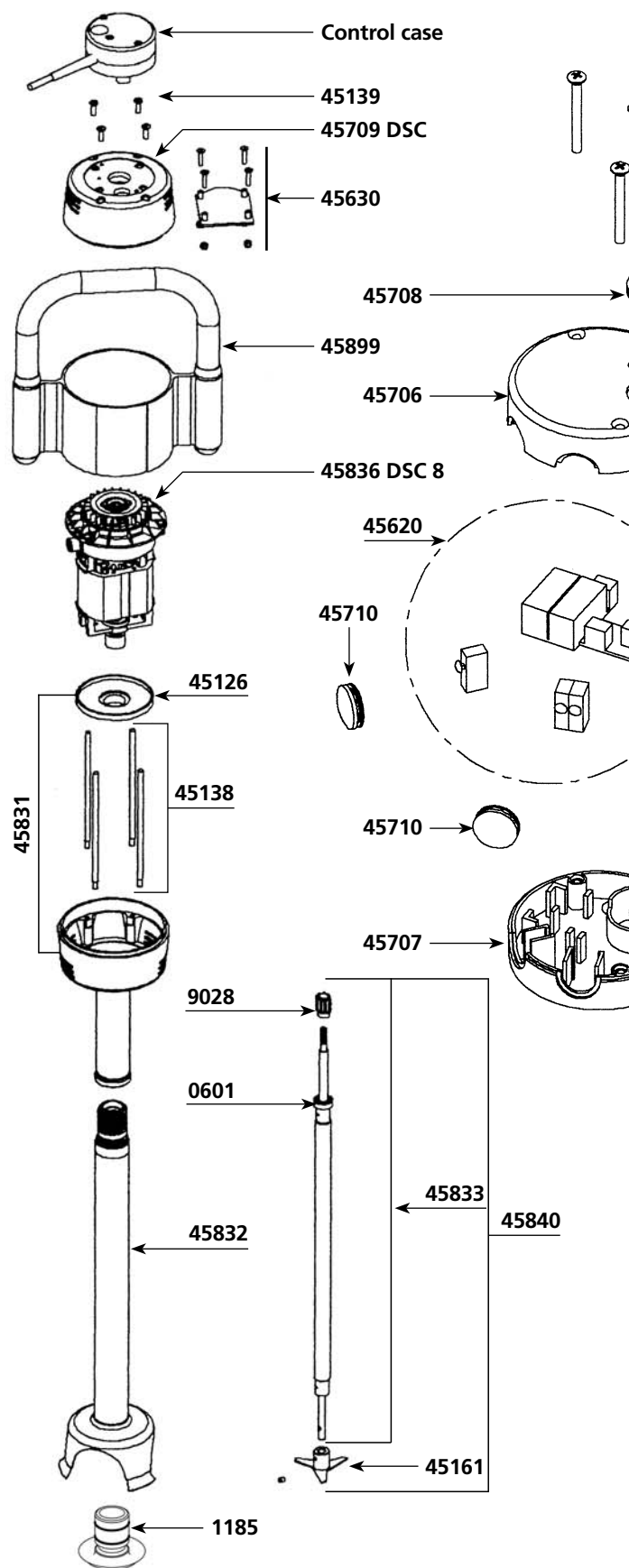


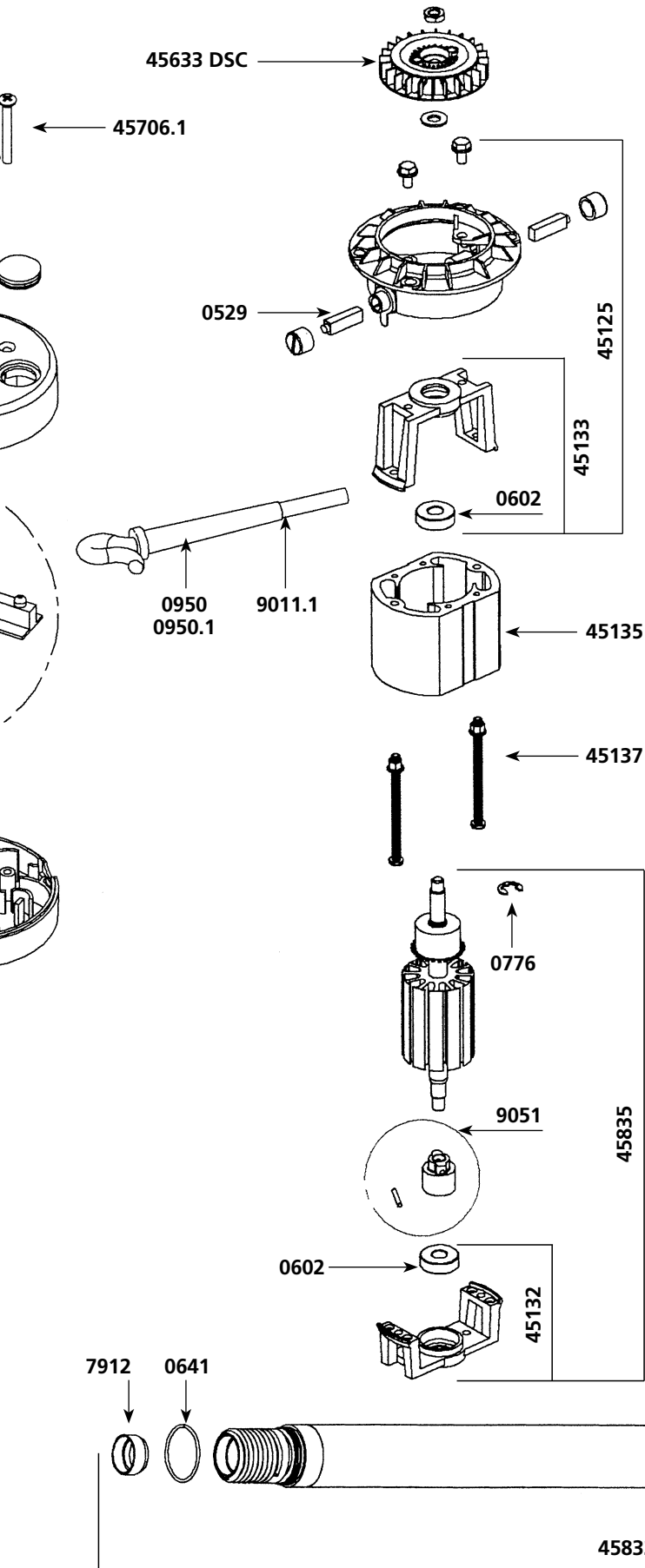
PRO 800 DSC mixer

Parts list

Code

Carbon brushes (pair)	0529	
Ball bearing	0601	
Motor ball bearing	0602	
Toric seal	0641	
Rubber washer	0760	
Clips	0776	
Washer & bolt for fan	0777	
Wall bracket	0862	
Strain relief 230 V	0950	
Strain relief 115 V	0950.1	
ID label 230 V	1098	
ID label 115 V	1099	
Bearing holder + seal	1185	
Fan housing	45125	
Double isolation plate	45126	
Lower bearing assembly	45130	
Lower motor casing	45132	
Upper motor casing	45133	
Stator 230 V	45135	
Stator 115 V	45135.1	
Stator screws(2)	45137	
Braces (4)	45138	
Brace screws (4)	45139	
Cutter blade w/ screw	45161	
Squeezing washers (4)	45230	
Handle cap (2)	45610	
Circuit board 230 V	45620	
Circuit board 115 V	45620.1	
Regulation circuit board	45630	
Fan DSC	45633 DSC	
Top housing (orange plastic piece)	45706	
Screws control case set	45706.1	
Lower housing (orange plastic piece)	45707	
Handle cap protector (unit)	45708	
Upper motor casing	45709DSC	
Handle cap protector (unit)	45710	





Parts list

Code

Complete housing w/ screws	45711	
Lower housing	45831	
Foot assembly w/ bearing assembly	45832	
Shaft & ball bearing	45833	
Rotor 230 V	45835	
Rotor 115 V	45835.1	
Motor 230 V	45836DSC 8	
Motor 115 V	45836.1DSC 8	
Complete foot assembly	45840	
Sleeve & complete handle & label & cap	45899	
Ball bearing ring	7912	
Power cord 230 V	9011.1	
Motor & shaft drive sprocket	9028	
Power cord 115 V	9040.1	
Coupling casing + pin	9051	
Power cord (Australian)	9066.1	
Power cord (English)	9067.1	
Lower bearing screws (3)	9902	