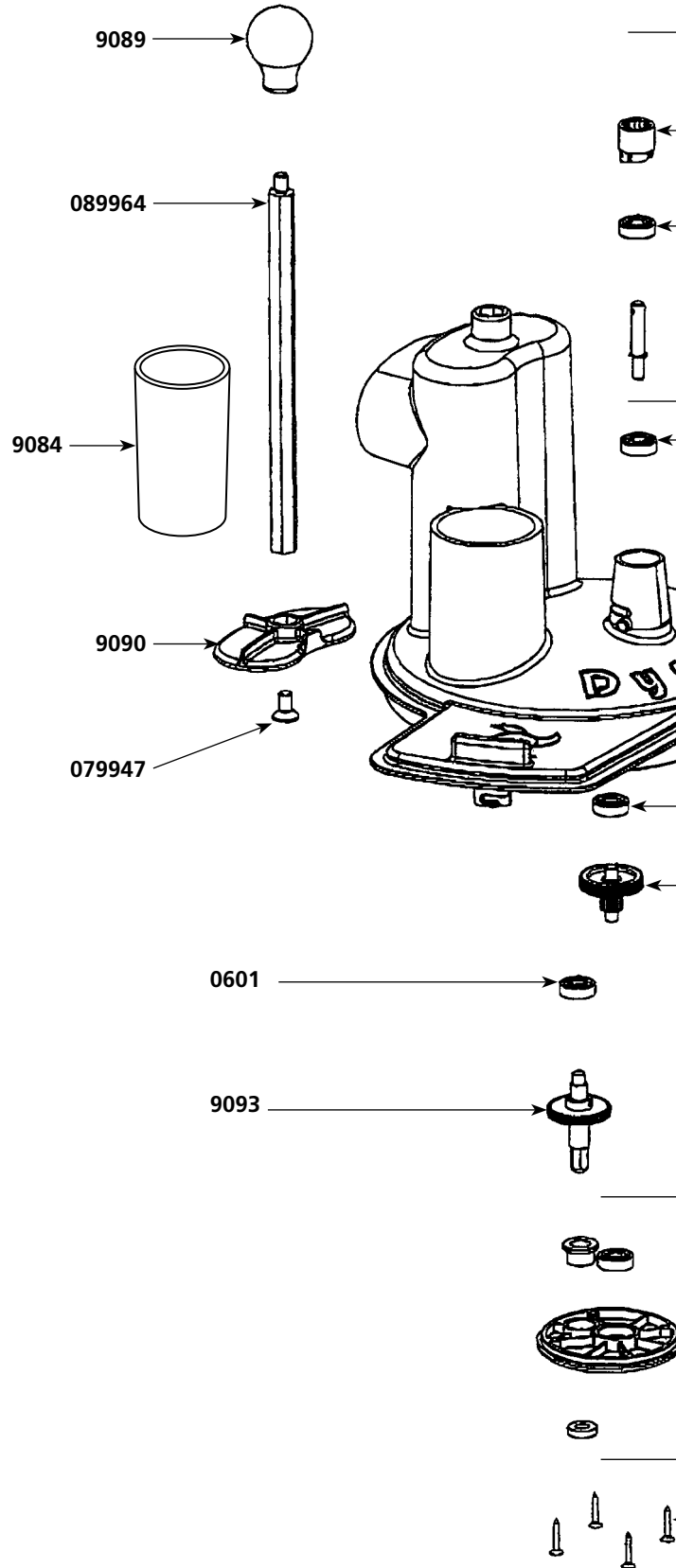
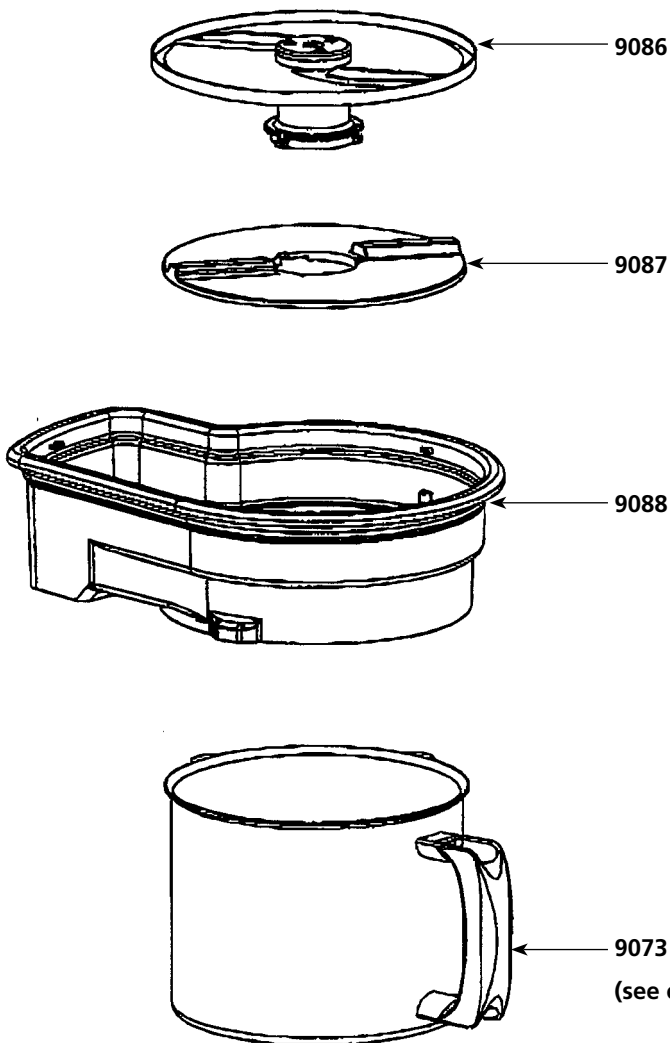


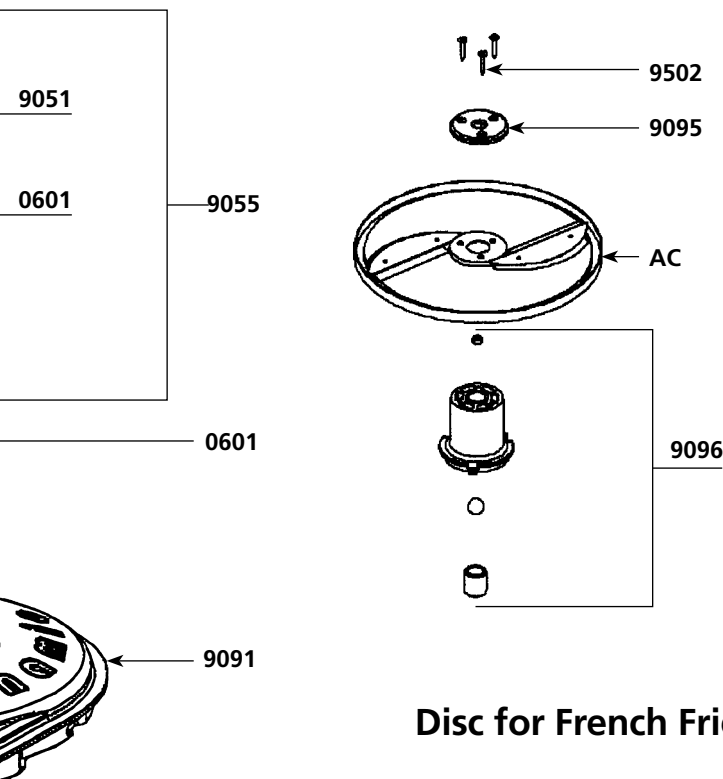
MULTI-FUNCTION FOOD PREP SYSTEM - VS ATTACHMENT

Parts list	Code	List \$ Price
Ball bearing	0601	14,86
Plate screws (4)	9014	0,69
Coupling casing + pin	9051	15,71
Equipped upper shaft	9055	74,56
Dynacutter Bowl	9073	320,00
Round vegetable pusher	9084	60,01
Complete lid	9085	704,48
Slicing disc	9086	73,34
Ejector disc	9087	73,34
Base	9088	233,34
Round shaped handle	9089	42,23
Vegetable pusher	9090	51,11
Lid only	9091	282,23
Intermediate gear	9092	135,56
Output gear + shaft	9093	124,45
Plate + ball bearing	9094	73,34
M8 X 16 screws	079947	5,33
Hexagonal shaft	089964	84,46



MULTI-FUNCTION FOOD PREP SYSTEM - VS ATTACHMENT

9086 Slicing disc



Parts list

Code List \$ Price

9086 Slicing disc

Coupler screws	9502	0,64
Twelve-sided hub	9095	37,79
Axle for slicing or grating disc	9096	60,01

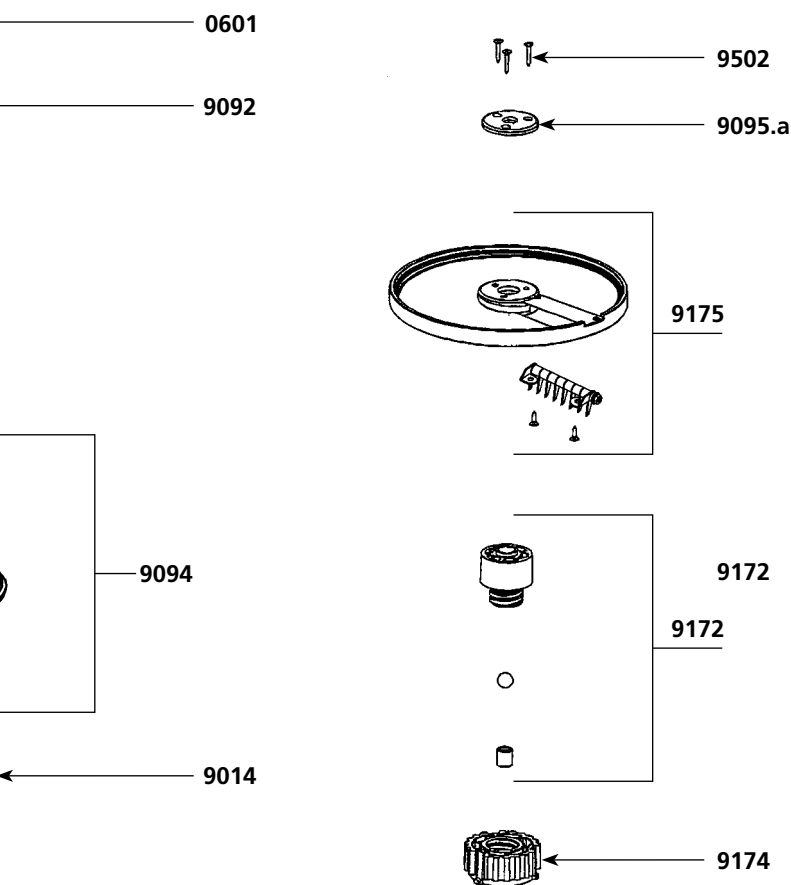
Disc for French Fries

Screws for hexagonal hub	9502	0,64
Hexagonal hub	9095.a	37,79
French Fries disc	9175	184,45
Axle for slicing disc	9172	71,11
Nut	9174	55,55

9170 Disc for cubes

Screws for hexagonal hub	9502	0,64
Hexagonal hub	9095.a	37,79
Slicing disc	9171	104,45
Axle for slicing disc	9172	71,11
Cubes disc	9173	117,78
Nut	9174	55,55

Disc for French Fries



9170 Disc for cube

