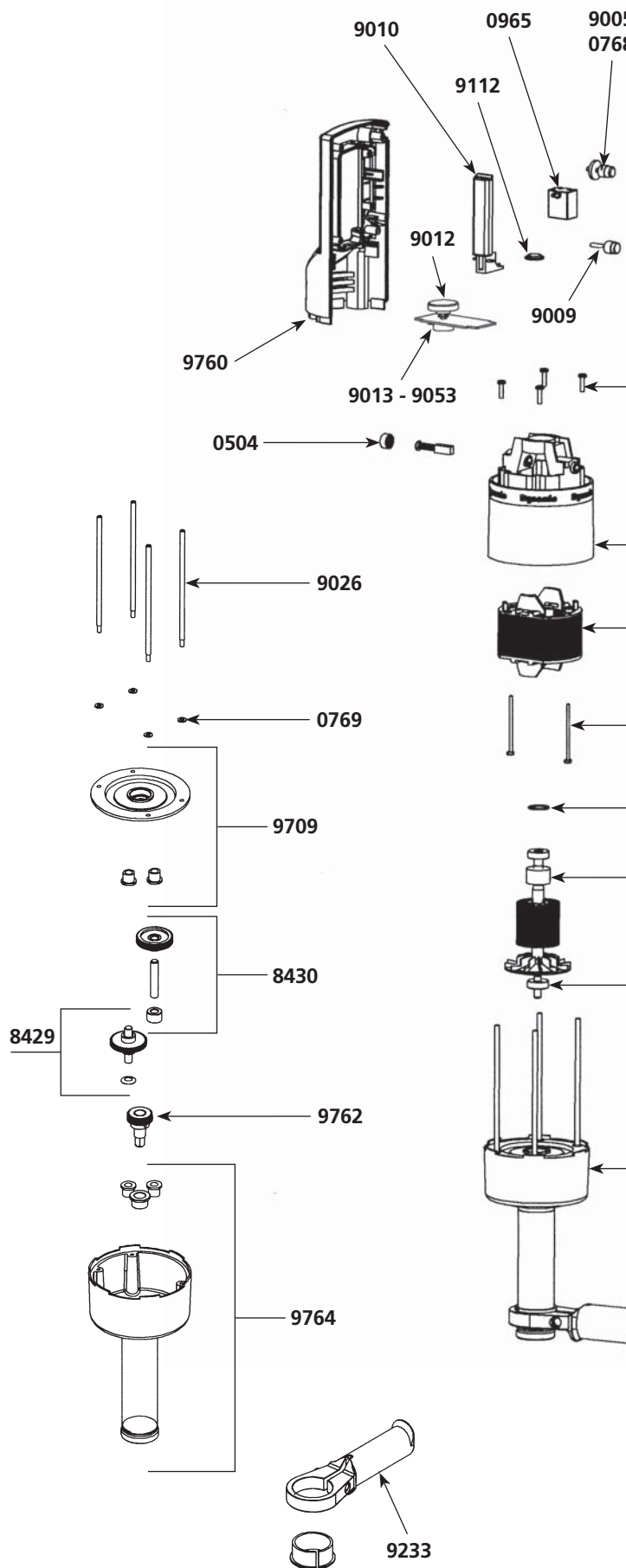


MOTOR BLOCK PP 97 PLUS

| Parts list | Code | List \$ Price |
|--------------------------------------|---------|---------------|
| Motor brushes | 0504 | 15,31 |
| Ball bearing | 0601 | 15,31 |
| Rubber washer | 0726 | 2,15 |
| Safety button return spring | 0768 | 4,23 |
| Strain relief 230 V | 0950 | 2,68 |
| Strain relief 115 V | 0950.1 | 2,68 |
| Switch | 0965 | 40,65 |
| Capacitor (115 V) | 0972 | 15,16 |
| Capacitor + filter | 0972.1 | 17,63 |
| Dynamic label | 1027 | 13,35 |
| Identification plate 230 V | 109913 | 5,76 |
| Identification plate 115 V | 109914 | 5,76 |
| Rotor 230 V | 7908.31 | 244,01 |
| Rotor 115 V | 7908.32 | 244,01 |
| Fan | 7933 | 9,75 |
| Spacer screws | 8317 | 4,96 |
| Upper half handle | 9002 | 59,90 |
| Security cap | 9005 | 3,24 |
| Handle cap | 9009 | 3,24 |
| Control lever | 9010 | 14,06 |
| Variable speed knob | 9012 | 4,35 |
| Variable speed control board 230 V | 9013 | 103,01 |
| Power cord 230 V | 9014 | 0,71 |
| Power cord 115 V | 9015 | 81,11 |
| Handle screw | 9016 | 0,71 |
| Top housing | 9023 | 81,11 |
| Stator 230 V | 9038 | 216,90 |
| Stator screws 230 V (2) | 9043 | 4,04 |
| Variable speed control board 115 V | 9053 | 216,90 |
| Stator 115 V | 9112 | 10,19 |
| Carbon brush wires (230 V) | 9143 | 103,01 |
| Variator cap | 9708 | 2,19 |
| Carbon brush wires 115 V (2) | 9708.1 | 10,19 |
| Lower half handle 230 V (with label) | 9760 | 61,54 |
| Lower half handle 115 V (with label) | 9760.1 | 61,54 |
| Lower motor housing | 9761 | 539,68 |
| Complete handle w/power cord 230 V | 9765 | 173,52 |
| Complete handle w/power cord 115 V | 9765.1 | 173,52 |

Equipped lower carter PP97 plus

| Parts list | Code | List \$ Price |
|----------------------------------|------|---------------|
| M4 Washer | 0769 | 1,60 |
| Double gear with washer | 8429 | 129,44 |
| Middle gear axle | 8430 | 135,51 |
| Spacer rods | 9026 | 17,26 |
| Handle support | 9233 | 87,00 |
| Plate w/ 2 seals | 9709 | 34,22 |
| Exit shaft w/gear | 9762 | 132,10 |
| Aluminium carter, foot and seals | 9764 | 177,11 |

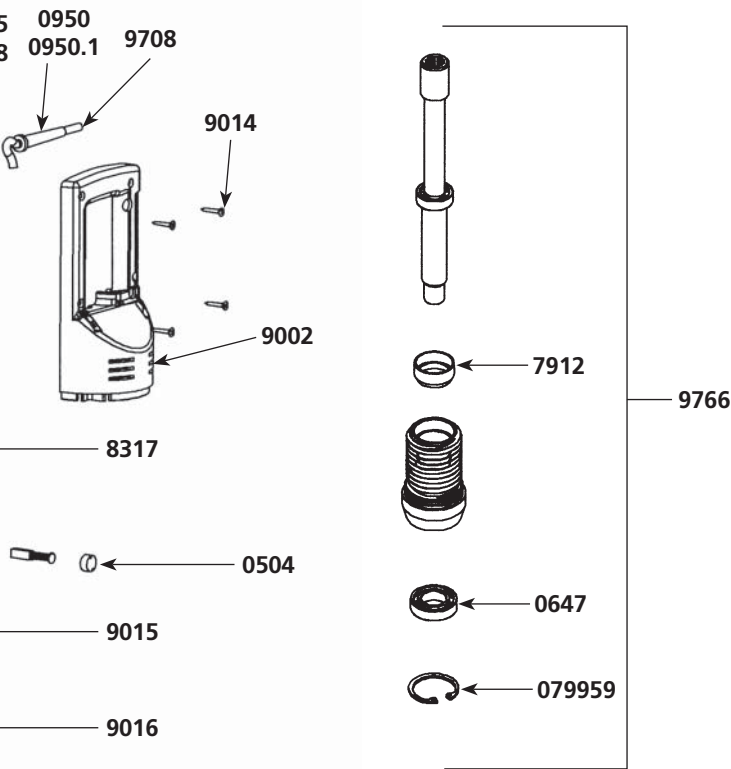


Whip tool for PP97 plus - FM97

Parts list

Code List \$ Price

| | | |
|-----------------------------------------------------------------------|--------|---------------|
| D15 Bearing | 0647 | 21,78 |
| Rubber ring | 079959 | 2,17 |
| Ball bearing | 7912 | 4,04 |
| Mono whisk L : 300 | 9230a | 510,90 |
| Mono whisk L : 400 | 9230b | 524,98 |
| Mono whisk L : 120 | 9230c | 487,63 |
| Equipped male casing (shaft, bearing seal, ball bearing, rubber ring) | 9766 | 173,52 |



AP 97 for Ricer tool

Parts list

Code List \$ Price

| | | |
|----------------------------------------------------------------------|------|---------------|
| Waterproof seal | 0609 | 17,88 |
| Toric seal | 0641 | 3,17 |
| Rubber washing | 0830 | 15,16 |
| Fan | 0835 | 133,95 |
| Friction washer | 0836 | 15,52 |
| Ricer grid | 0842 | 187,53 |
| Bearing seal | 7912 | 4,04 |
| Antifriction seal | 8422 | 18,13 |
| Lower bolt | 8423 | 34,48 |
| Equipped male casing, bearing seal, tube and complete lever assembly | 9240 | 207,24 |
| Exit shaft | 9241 | 229,96 |

