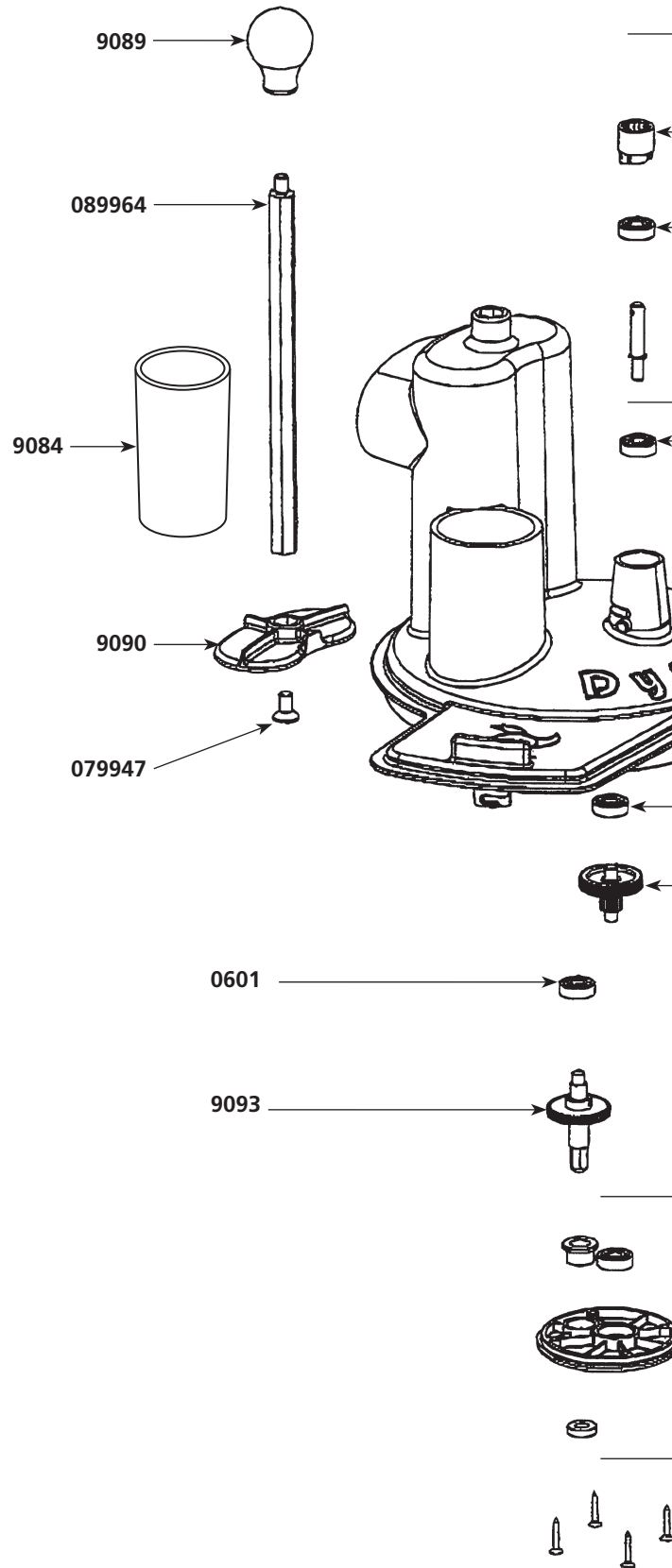
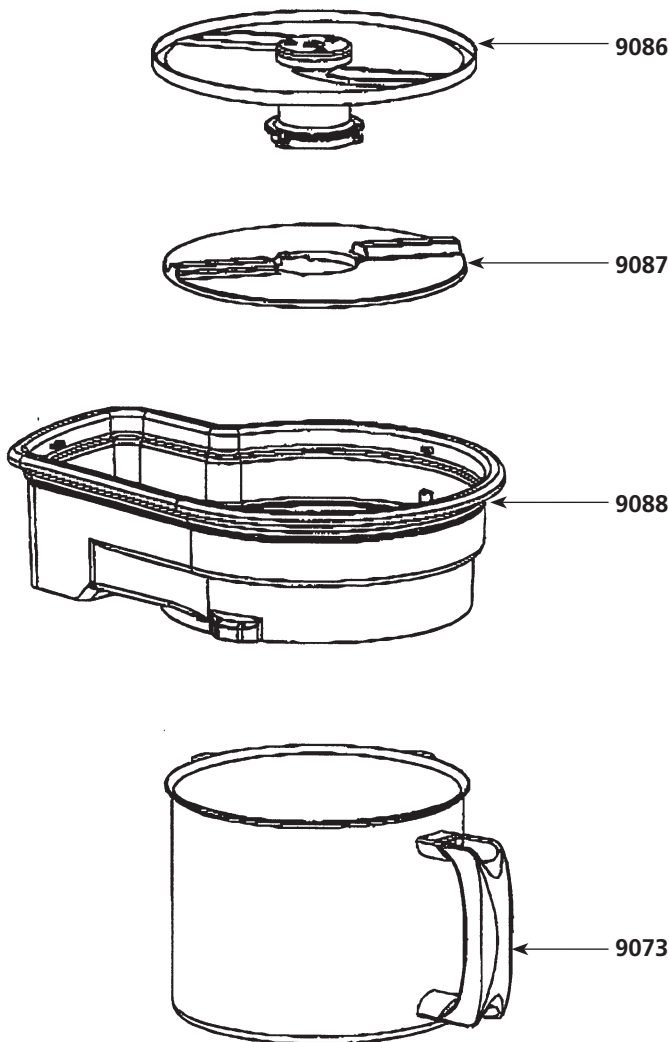


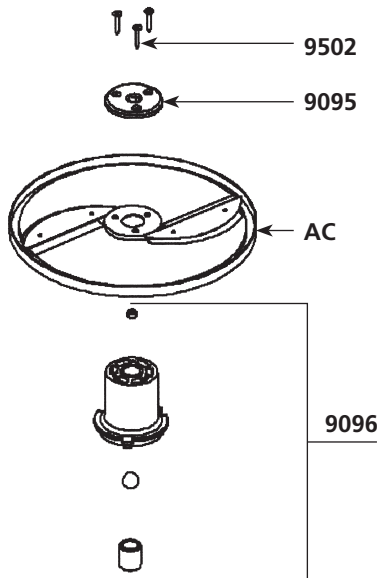
MULTI-FUNCTION FOOD PREP SYSTEM - VS ATTACHMENT

Parts list	Code
Ball bearing	0601
Plate screws (4)	9014
Coupling casing + pin	9051
Equipped upper shaft	9055
Stainless steel bowl	9073
Round vegetable pusher	9084
Complete lid	9085
Slicing disc	9086
Ejector disc	9087
Base	9088
Round shaped handle	9089
Vegetable pusher	9090
Lid only	9091
Intermediate gear	9092
Output gear + shaft	9093
Plate + ball bearing	9094
M8 X 16 screws	079947
Hexagonal shaft	089964



MULTI-FUNCTION FOOD PREP SYSTEM - VS ATTACHMENT

9086 Slicing disc



Parts list

Code

9086 Slicing disc

Coupler screws	9502
Twelve-sided hub	9095
Axle for slicing or grating disc	9096

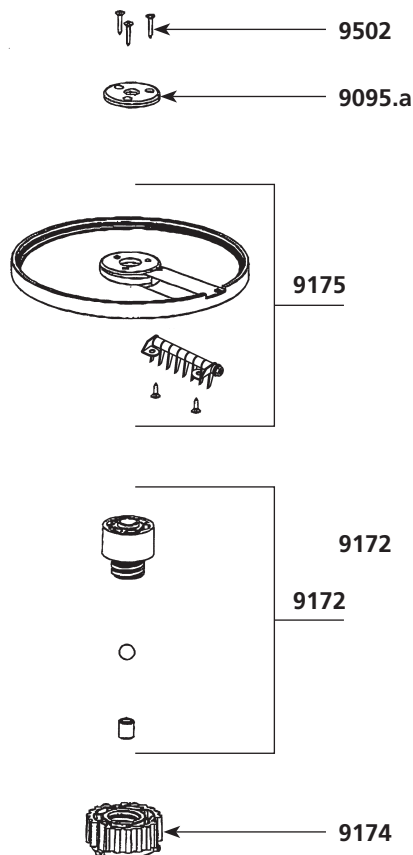
Disc for French Fries

Screws for hexagonal hub	9502
Hexagonal hub	9095.a
French Fries disc	9175
Axle for slicing disc	9172
Nut	9174

9170 Disc for cubes

Screws for hexagonal hub	9502
Hexagonal hub	9095.a
Slicing disc	9171
Axle for slicing disc	9172
Cubes disc	9173
Nut	9174

Disc for French Fries



9170 Disc for cube

