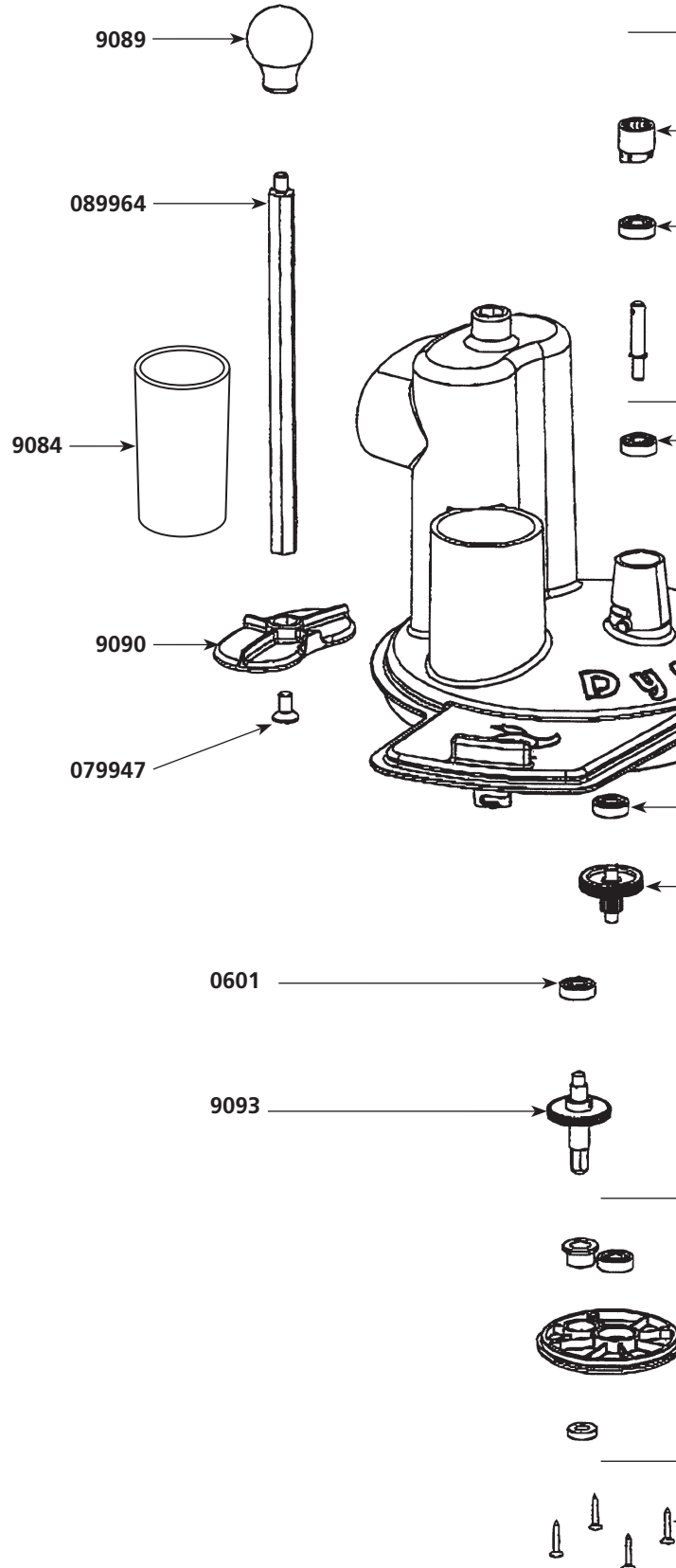
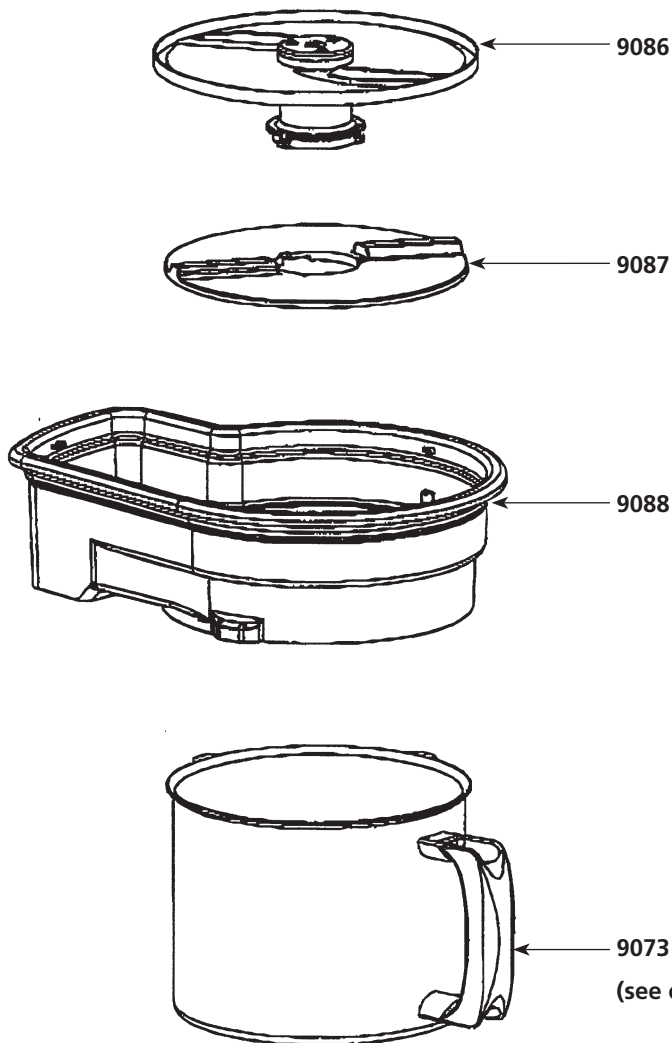


# MULTI-FUNCTION FOOD PREP SYSTEM - VS ATTACHMENT

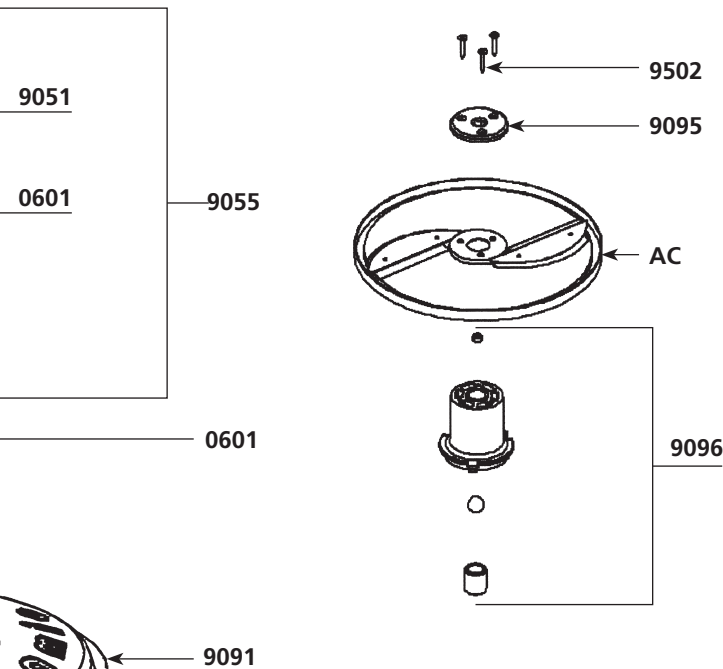
Parts list	Code	List \$ Price
Ball bearing	0601	18,26
Plate screws (4)	9014	0,85
Coupling casing + pin	9051	19,29
Equipped upper shaft	9055	91,54
Dynacutter Bowl	9073	415,00
Round vegetable pusher	9084	73,67
Complete lid	9085	864,96
Slicing disc	9086	90,05
Ejector disc	9087	90,05
Base	9088	286,50
Round shaped handle	9089	51,84
Vegetable pusher	9090	62,76
Lid only	9091	346,54
Intermediate gear	9092	166,44
Output gear + shaft	9093	152,80
Plate + ball bearing	9094	90,05
M8 X 16 screws	079947	6,54
Hexagonal shaft	089964	103,69



(see current catalogue on machines)

# MULTI-FUNCTION FOOD PREP SYSTEM - VS ATTACHMENT

## 9086 Slicing disc



### Parts list

Code List \$ Price

#### 9086 Slicing disc

Coupler screws	9502	0,80
Twelve-sided hub	9095	46,39
Axle for slicing or grating disc	9096	73,67

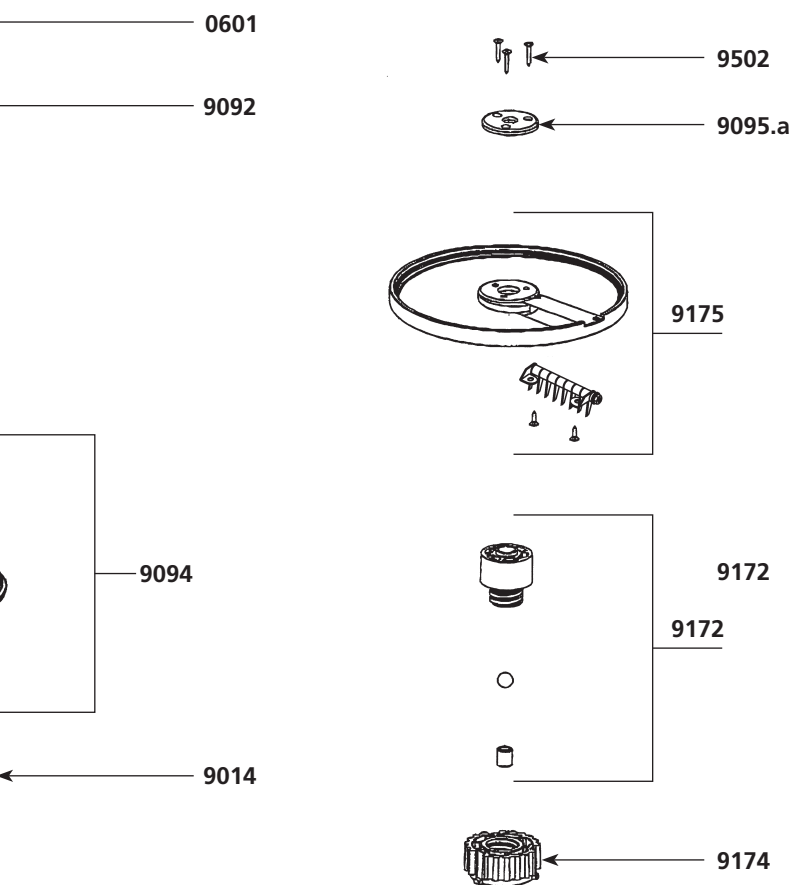
#### Disc for French Fries

Screws for hexagonal hub	9502	0,80
Hexagonal hub	9095.a	46,39
French Fries disc	9175	226,47
Axle for slicing disc	9172	87,31
Nut	9174	68,22

#### 9170 Disc for cubes

Screws for hexagonal hub	9502	0,80
Hexagonal hub	9095.a	46,39
Slicing disc	9171	128,25
Axle for slicing disc	9172	87,31
Cubes disc	9173	144,61
Nut	9174	68,22

## Disc for French Fries



## 9170 Disc for cube

